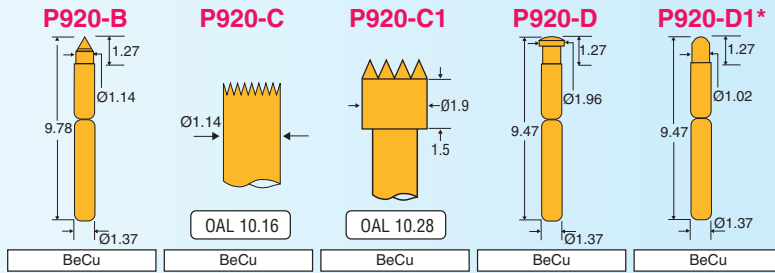


P920 Series battery contact probes  
 P970 Series a very short bare board probe with a selection of tip styles 2.54mm centres  
 1.27mm travel and is also suitable for battery contacts. Many new tip styles added to P970  
 All probes suitable to solder directly into PCB

SPECIFICATION

<p><b>SERIES 920</b></p> <p>Based on the P970 Series; the P920 Series offers superior electrical characteristics, making them ideal for use as a replaceable miniature battery contact, or as an interface probe in a D.U.T. ring. This series uses a receptacle to enable connection to the PCB or wiring. The post on the wire wrap receptacles may be removed if not required.</p>	<p><b>MECHANICAL</b></p> <p>Full travel: 1.27mm</p> <p>Recommended working travel: 0.84mm</p>
	<p><b>SPRING FORCE</b></p> <p>Working travel: 1.1N</p>
	<p><b>ELECTRICAL</b></p> <p>Max current: 3.0 amps</p> <p>Minimum test centres: 2.54mm</p>
	<p><b>Recommended mounting hole size:</b> 1.7mm</p>

TIP STYLES

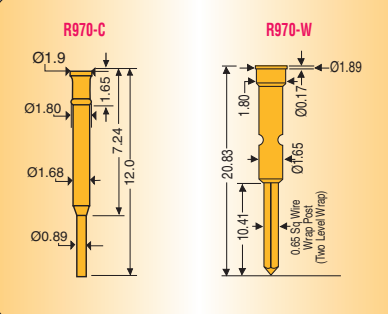


The P920 Series use the receptacle of the R970 Series

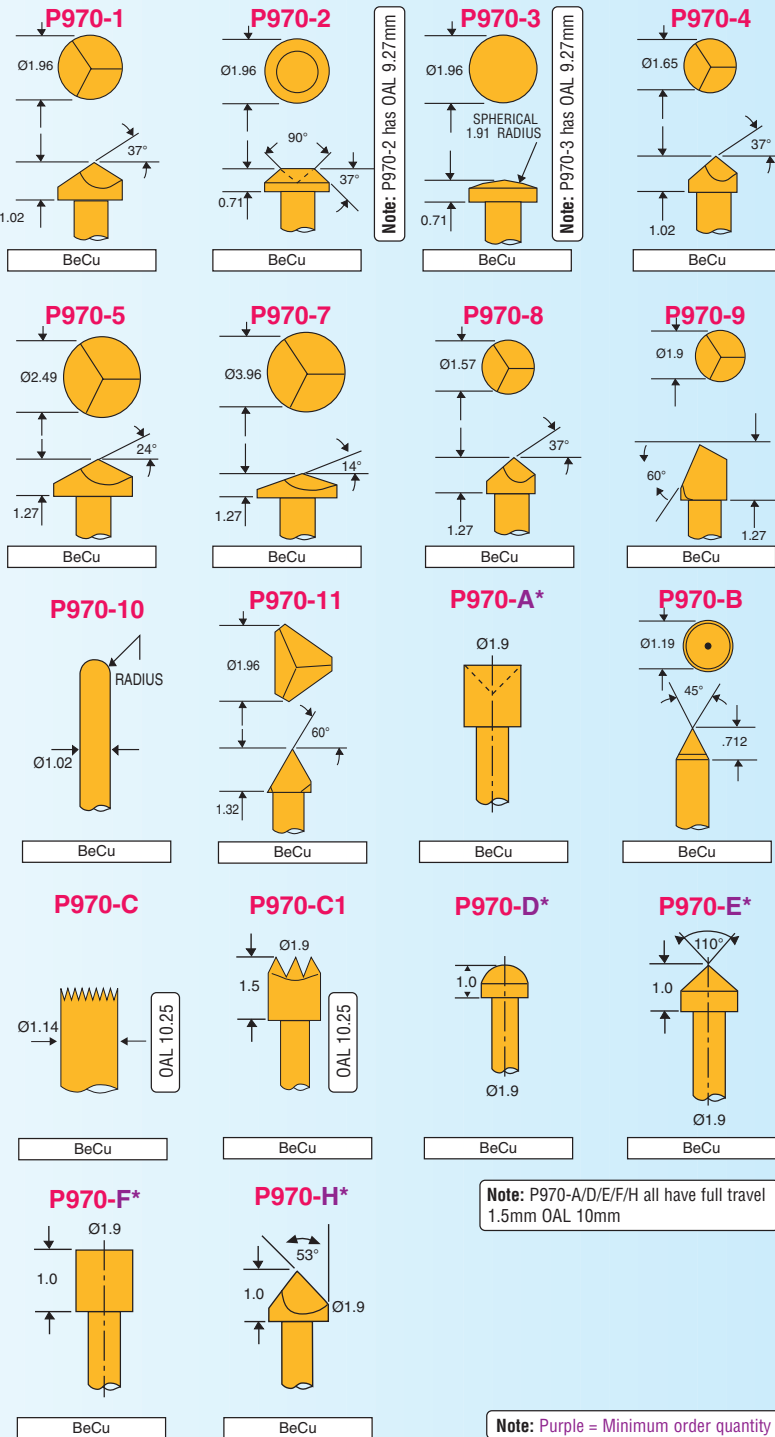
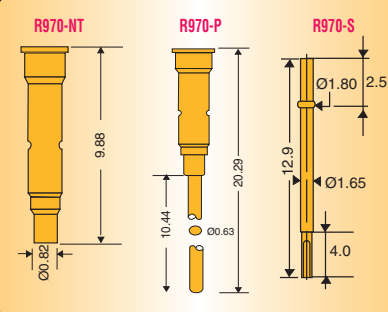
SPECIFICATION

<p><b>SERIES 970</b></p> <p><b>PROBE P970</b></p>	<p><b>MECHANICAL</b></p> <p>Minimum centres: 2.54mm</p> <p>Full travel: 1.27mm</p> <p>Working travel: 1.27mm</p>
	<p><b>SPRING FORCE</b></p> <p>Preload: 0.3N</p> <p>@ Working travel: 1.1N</p>
	<p><b>ELECTRICAL</b></p> <p>Max current: 3.0 amps</p> <p>Terminal resistance: &lt;35m ohms</p>
	<p><b>Recommended hole size:</b> 1.7mm</p>

RECEPTACLES



ADDITIONAL RECEPTACLES FOR 970



Note: P970-A/D/E/F/H all have full travel 1.5mm OAL 10mm

Note: Purple = Minimum order quantity

PROBE ORDER CODE  
**P920 - B**  
 Series Tip Style