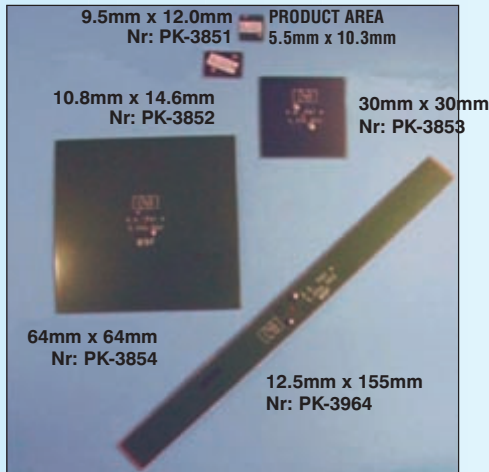
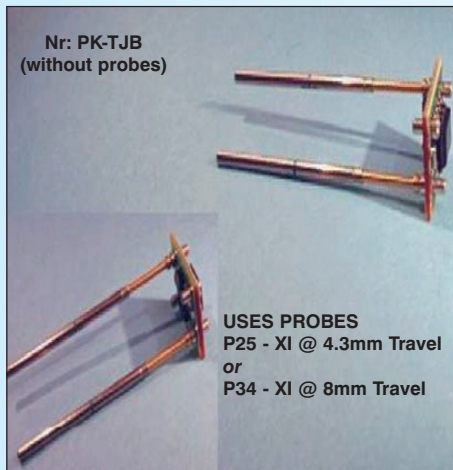


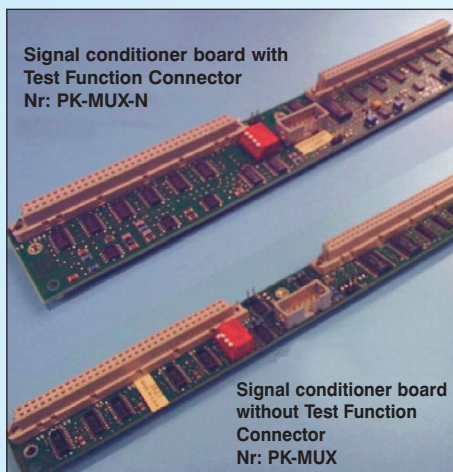
**SENSOR PLATES**



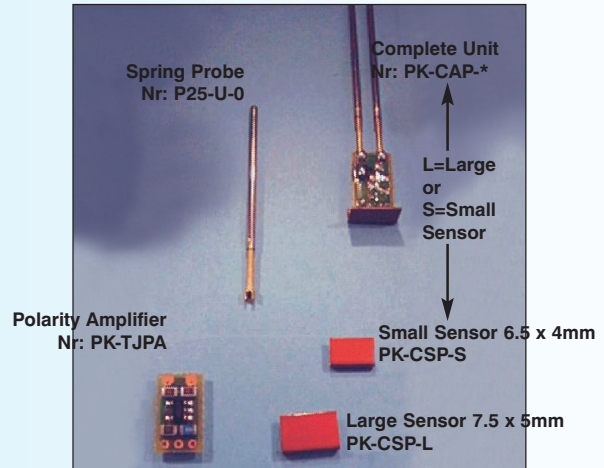
**AMPLIFIER BOARDS FOR STANDARD SPRING PROBES**



**SIGNAL CONDITIONER/MUX BOARDS**

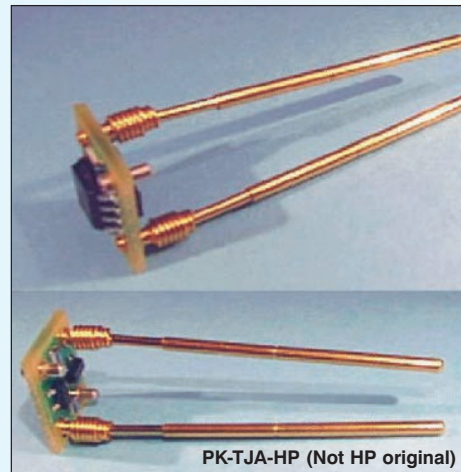


**CAPSCAN/POLARITY SENSORS**



**Note:** One complete unit PK-CAP-S/L consists of two x P25-U and PK-TJPA AND PK-CSP-S/L

**AMPLIFIER BOARDS WITH SPRING HANGER PROBES**



**AMPLIFIER BOARDS WITH SPRING HANGER PROBES. VARIOUS LENGTHS**

